

Lura® Free Standing Roman Tub Faucet with Cross Handle

FEATURES:

- Metal construction
- Sub-floor installation
- ½" NPT (female) inlets
- Cross handle allows for both on/off activation and temperature setting
- Ceramic cartridge
- Push button diverter
- Hand shower holder pivots
- Flow rate of 6.0 gpm (22.7 L/min) at 45 psi
- Corrosion resistant finishes
- Coordinates with Lura Collection

HAND SHOWER FEATURES:

- ½" NPSM (male) inlet
- Max. flow rate of 1.5 gpm (5.7 L/min)
- Includes 60" finish matched hose

STOCK FINISHES:



PC MB BBZ

STANDARDS:

- ASME A112.18.1/CSA B125.1 certified
- WaterSense certified (hand shower only)

WARRANTY:

Visit www.speakman.com for full product warranty information

- 5 Year Limited Warranty (commercial)
- Limited Lifetime Warranty (residential)



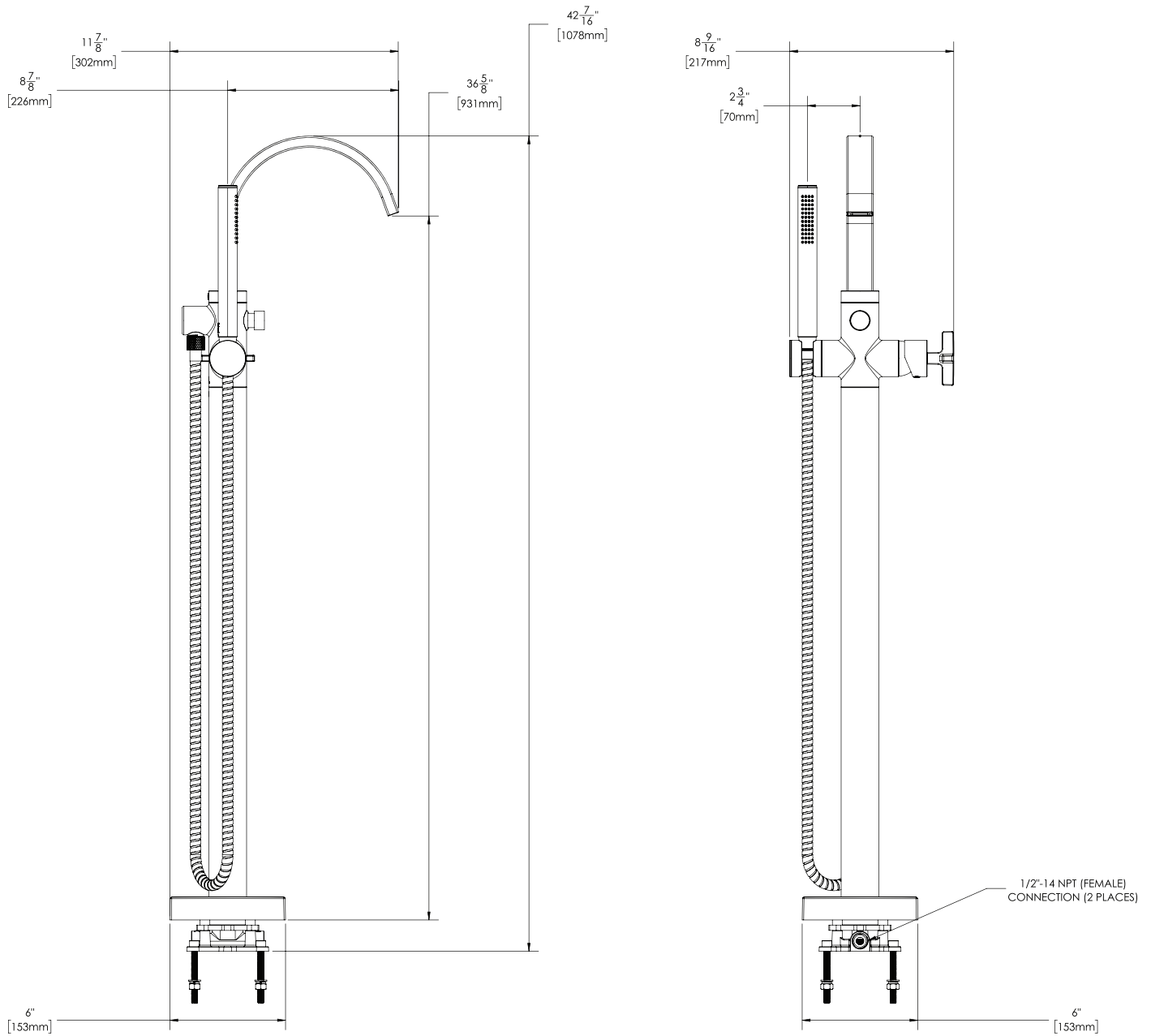
Information continues on next page

All dimensions are in inches (millimeters) unless otherwise specified and are subject to change without notice.

Architect/Engineer Approval Space:

P: 800-537-2107
F: 800-977-2747
W: WWW.SPEAKMAN.COM
R: 01-MARCH 2020

Lura® Free Standing Roman Tub Faucet with Cross Handle



All dimensions are in inches (millimeters) unless otherwise specified and are subject to change without notice.

Architect/Engineer Approval Space:

P: 800-537-2107
 F: 800-977-2747
 W: WWW.SPEAKMAN.COM
 R: 01-MARCH 2020